

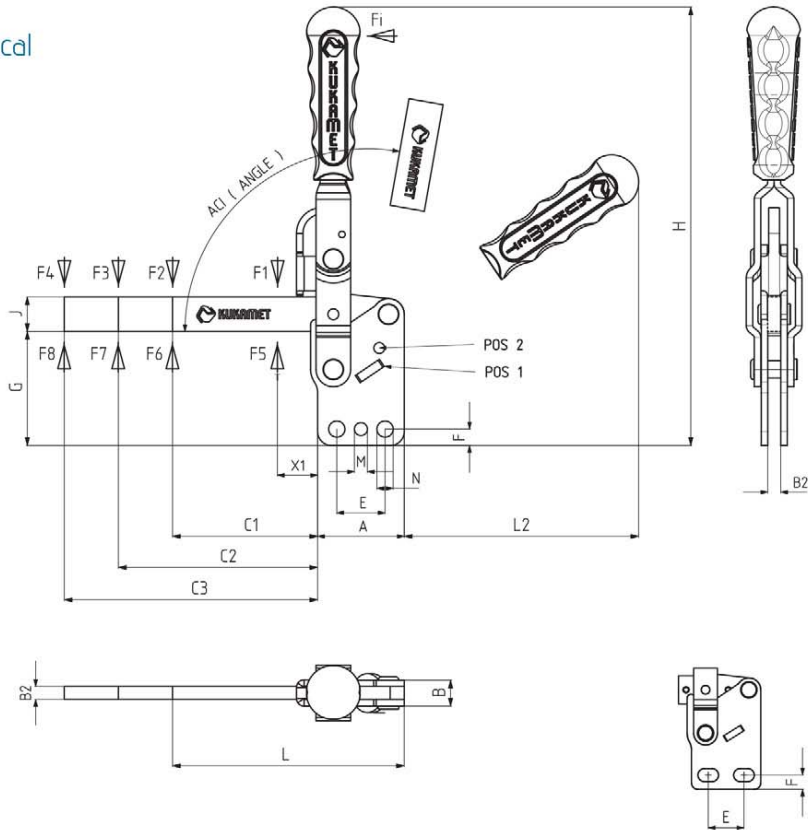
MODEL NO	SİYAH (BLACK)	F1 (N)	F2 (N)	F3 (N)	F4 (N)	F5 (N)	F6 (N)	F7 (N)	F8 (N)	Fi		AÇI (ANGLE) (± 5 °)		AĞIRLIK (WEIGHT) (gr)
										(X1) VERİM (YIELD) (F1:Fi)	(X2) VERİM (YIELD) (F2:Fi)	POS1	POS2	
212-1-D	B 212 -	750	500	200	100	1000	680	300	200	12:1	8:1	105°		125
212-2-D	B 212 -	1200	700	350	250	1400	925	510	370	12:1	7,5:1	105°		210
212-3-D	B 212 -	2000	1400	700	500	2500	1560	910	680	11:1	8:1	105°		370
212-4-D	B 212 -	3000	2000	1100	850	3300	2200	1350	1080	11,5:1	8:1	135°	105°	785
212-5-D	B 212 -	4500	2500	1300	1000	5000	3000	1445	1190	12:1	7:1	135°	105°	1370

F1 - F2 - F3 - F4 : BASKI KUVVETİ (EXERTING FORCE) , F5 - F6 - F7 - F8 : TUTMA KAPASİTESİ (HOLDING CAPACITY) , Fi : UYGULAMA KUVVETİ (APPLIED FORCE)

212-D Ayak Tipi: Dikey Tabanlı
Body Mounting Base: Vertical



*911-951
Bkz. Aksesuar Sayfası
*911-951
Please See Accessories Page



MODEL NO : 212-2-D



MODEL NO	A	B	B2	C1	C2	C3	D	E	F	G	H	J	L	L2	M	N	X1
212-1-D	26	10	5	44	94	144		16	5	35	135	10	70	73		Ø 5	18
212-2-D	32	10	5	62	112	162		13-20	6,5	39	154	13	94	85		6 x 9,5	20
212-3-D	40	12	6	67	117	167		22,5	7,5	52	202	16	107	110		Ø 7,5	25
212-4-D	52	16	8	100	150	200		32	12	70	262	20	152	160	Ø 8,5	Ø 9	34
212-5-D	65	20	10	130	180	230		42	15,5	82	286	25	195	165		Ø 9	42

Dimensions and technical data are subject to change without notice.

-www.kukamet.com.tr-

19