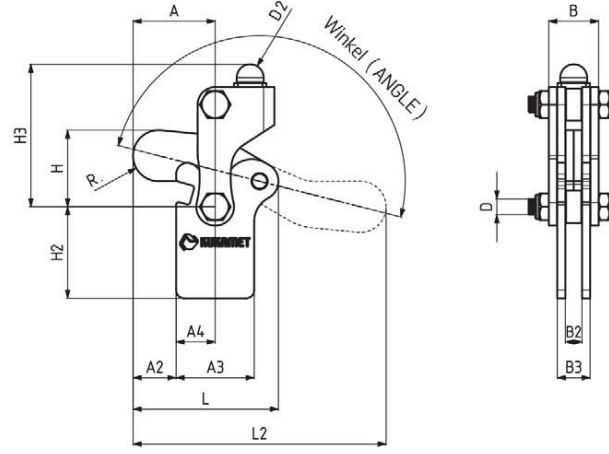


223

new



MODEL NO	F1 (N)	Fi	AÇI (ANGLE) (± 5 °)	AĞIRLIK (WEIGHT) (gr)
		VERİM (YIELD) (F1)		
223-2	2500	5;1	180°	220



MODEL NO : 223-2 Kol Kaynaklı Sac / Welded steel arm

**Ayak Tipi: Dikey Sabit Tabanlı**  
Body Mounting Base: Vertical and Fixed

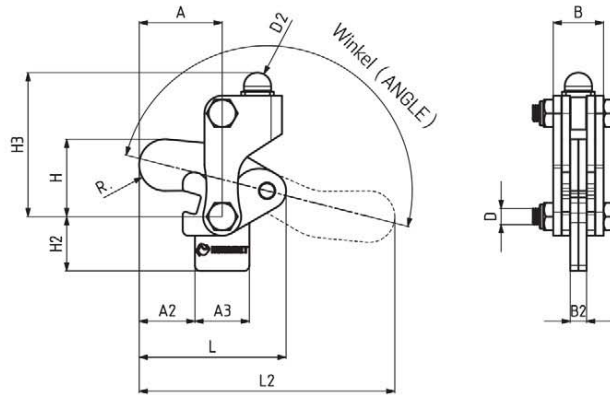
MODEL NO	A	A2	A3	A4	B	B2	B3	D	D2	E	F	H	H2	H3	L	L2	M	N	R
223-2	30,5	16	29	14,5	18,5	6	12	M6	Ø10			28,5	34	53	54	94			9,5

233

new



MODEL NO	F1 (N)	Fi	AÇI (ANGLE) (± 5 °)	AĞIRLIK (WEIGHT) (gr)
		VERİM (YIELD) (F1)		
233-2	2500	5;1	180°	200



MODEL NO : 233-2 Kol Kaynaklı Sac / Welded steel arm

**Ayak Tipi: Dikey Oynar Tabanlı**  
Body Mounting Base: Vertical Moving

MODEL NO	A	A2	A3	B	B2	D	D2	H	H2	H3	L	L2	R
233-2	30,5	20,5	20	18,5	6	M6	Ø10	28,5	20	53	54	94	9,5