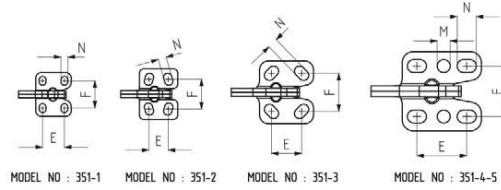
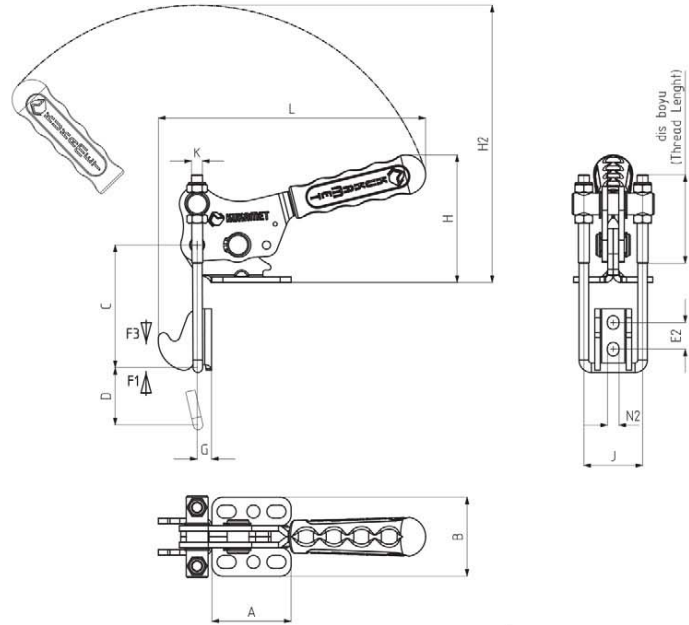




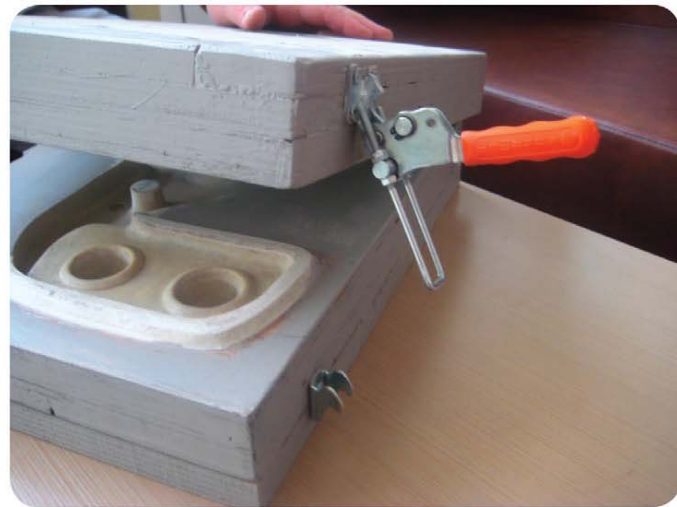
| MODEL NO | PASLANMAZ (STAINLESS) | SİYAH (BLACK) | F1 (N) | F3 (N) | STROK (DİŞ BOYU) (STROKE) (thread length) | AĞIRLIK (WEIGHT) (gr) |
|----------|-----------------------|---------------|--------|--------|---|-----------------------|
| 351-1 | S 351 - | B 351 - | 1000 | 1500 | 45 | 135 |
| 351-2 | S 351 - | B 351 - | 1500 | 2000 | 45 | 175 |
| 351-3 | S 351 - | B 351 - | 2200 | 3200 | 75 | 335 |
| 351-4 | S 351 - | B 351 - | 7000 | 8000 | 95 | 815 |
| 351-5 | S 351 - | B 351 - | 10000 | 11000 | 110 | 1185 |

F1 : BASKI KUVVETİ (EXERTING FORCE) , F3 : TUTMA KAPASİTESİ (HOLDING CAPACITY) , Fi : UYGULAMA KUVVETİ (APPLIED FORCE)

Paslanmaz U Kancalı ürünlerin çekme kuvvetleri %30 daha azdır. (Stainless stell latch clamp's tensile strength are %30 more less)



Ayak Tipi: Yatay Tabanlı
Body Mounting Base: Horizontal



| MODEL NO | A | B | C (min.) | C (max.) | D | E | E2 | F | G | H | H2 | J | K | L | M | N | N2 |
|----------|------|----|----------|----------|----|---------|---------|-------------|------|------|-------|----|-----|-----|-------|----------|---------|
| 351-1 | 26 | 32 | 35 | 65 | 20 | 16 | 10 | 18,5 - 21,5 | 13 | 55 | 110 | 23 | M4 | 104 | | 5x6,5 | Ø 5 |
| 351-2 | 28 | 37 | 32 | 62 | 25 | 13 - 15 | 10 - 14 | 19 - 24,5 | 17 | 58 | 120 | 23 | M4 | 113 | | 6 x 9 | 5,5 x 8 |
| 351-3 | 39,5 | 46 | 32 | 67 | 35 | 19 - 25 | 16 | 25 - 31 | 21,5 | 67 | 160 | 30 | M 6 | 131 | | 7,5x11,5 | Ø 6,5 |
| 351-4 | 58 | 58 | 45 | 95 | 44 | 32 - 41 | 18 - 21 | 37 | 27,5 | 91 | 200 | 43 | M8 | 196 | Ø 9,5 | 9,5x14 | 8,5x10 |
| 351-5 | 58 | 58 | 45 | 127 | 44 | 32 - 41 | 18 - 21 | 37 | 27,5 | 93,5 | 204,5 | 45 | M10 | 196 | Ø 9,5 | 9,5x14 | 8,5x10 |

C Ölçüsü Kısa U Kanca İçindir. Bkz. Aksesuar Sayfası. / C Dimension is for short U Hook. Please See Accessories Page.

Dimensions and technical data are subject to change without notice.

-www.kukamet.com.tr-

33