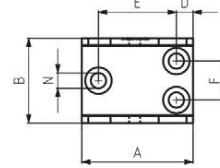
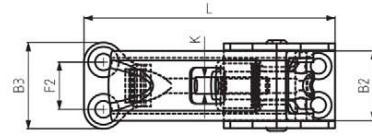
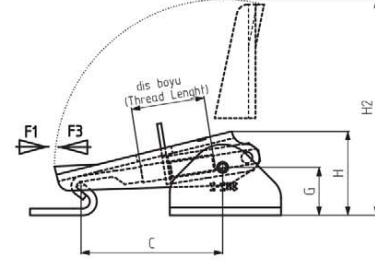




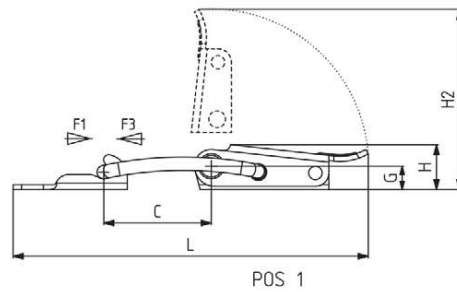
| MODEL NO | PASLANMAZ (STAINLESS) | F1 (N) | F3 (N) | STROK (DIŞ BOYU) (STROKE) (thread length) | AĞIRLIK (WEIGHT) (gr) |
|----------|-----------------------|--------|--------|---|-----------------------|
| 362-1    | S362 - ....           | 1400   | 1650   | 25  | 140                   |
| 362-2    | S362 - ....           | 1600   | 1800   | 25  | 160                   |

F1 : BASKI KUVVETİ ( EXERTING FORCE ) , F3 : TUTMA KAPASİTESİ ( HOLDING CAPACITY )

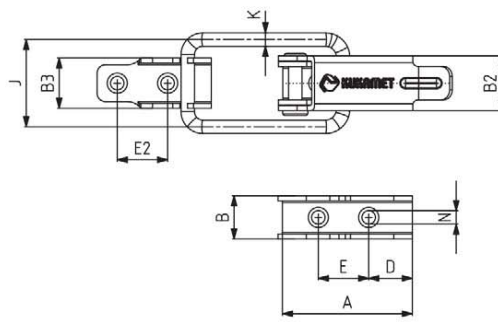


**Ayak Tipi: Yatay Tabanlı**  
Body Mounting Base: Horizontal

| MODEL NO | A  | B    | B2 | B3 | C Min | C Max | D | E  | F  | F2 | G  | H  | H2 | K  | L Min | L Max | N     |
|----------|----|------|----|----|-------|-------|---|----|----|----|----|----|----|----|-------|-------|-------|
| 362-1    | 40 | 29,5 | 24 | 31 | 47    | 62    | 6 | 28 | 14 | 17 | 17 | 30 | 78 | M6 | 86    | 101   | Ø 5,5 |
| 362-2    | 40 | 30,5 | 25 | 31 | 47    | 62    | 6 | 28 | 14 | 17 | 17 | 30 | 78 | M8 | 86    | 101   | Ø 5,5 |



**Ayak Tipi: Yatay Tabanlı**  
Body Mounting Base: Horizontal



| MODEL NO | A    | B  | B2   | B3 | C  | D  | E  | E2 | F | G    | H  | H2 | J | K   | L | M   | N |
|----------|------|----|------|----|----|----|----|----|---|------|----|----|---|-----|---|-----|---|
| 363-2    | 38,5 | 13 | 16,3 | 15 | 32 | 13 | 15 | 15 | 7 | 13,5 | 54 | 25 | 4 | 106 |   | Ø 4 |   |

Dimensions and technical data are subject to change without notice.

-www.kukamet.com.tr-

35