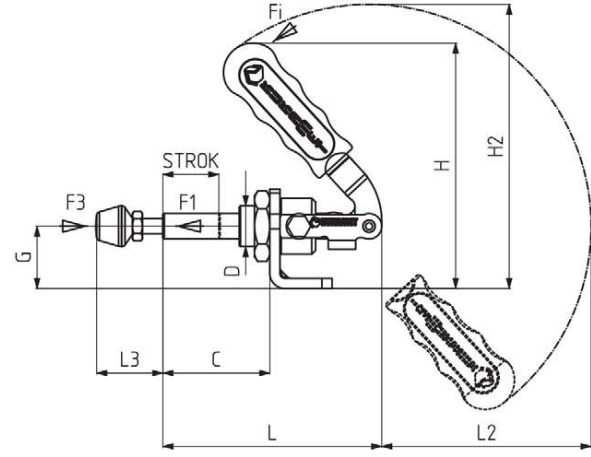




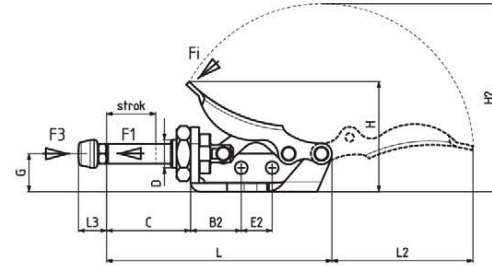
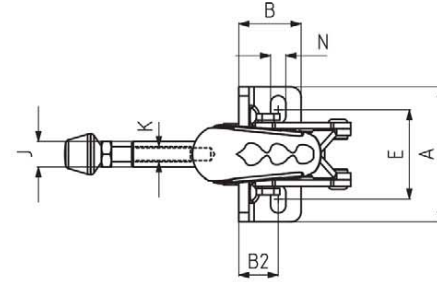
İtme Çekme Bağlantı Elemanları Straight Line Push-Pull Type Toggle Clamps

| MODEL NO | PASLANMAZ (STAINLESS) | SİYAH (BLACK) | F1 (N) | F3 (N) | Fi | BASKI VİDASI (SQUEEZE SCREW) | STROK | AĞIRLIK (WEIGHT) (gr) |
|----------|--------------------------|------------------|-----------|-----------|---------------------------|---------------------------------|-------|-----------------------------|
| | | | | | VERİM YIELD (F1:Fi) | | | |
| 511-0 | S 511 - ... | B 511 - ... | 550 | 700 | 20:1 | M4X25 | 15 | 87 |
| 511-1 | S 511 - ... | B 511 - ... | 800 | 970 | 24:1 | M5X35 | 22 | 130 |
| 511-2 | S 511 - ... | B 511 - ... | 1500 | 1700 | 26:1 | M6X40 | 27 | 270 |
| 511-3 | S 511 - ... | B 511 - ... | 2500 | 2640 | 27:1 | M8X50 | 38 | 490 |
| 511-5 | S 511 - ... | B 511 - ... | 3500 | 3700 | 38:1 | M10X70 | 53 | 960 |
| 511-6 | S 511 - ... | B 511 - ... | 4500 | 4650 | 38:1 | M10X70 | 53 | 1070 |

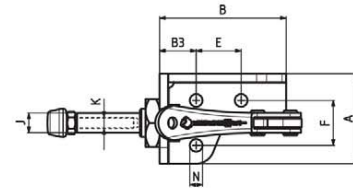
F1 : BASKI KUVVETİ (EXERTING FORCE) , F3 : TUTMA KAPASİTESİ (HOLDING CAPACITY) , Fi : UYGULAMA KUVVETİ (APPLIED FORCE)



Ayak Tipi: Yatay Tabanlı
Body Mounting Base: Horizontal



Ayak Tipi: Yatay Tabanlı
Body Mounting Base: Horizontal



| MODEL NO | A | B | B2 | B3 | C | D | E | E2 | F | G | H | H2 | J | K | L | L2 | L3 Min | L3 Max | N |
|----------|----|------|------|----|----|-----------|-------------|----|----|------|------|-----|----|-----|-----|------|-----------|-----------|----------|
| 511-0 | 32 | 45 | 18 | 13 | 32 | M10 x 1 | 16 | 11 | 16 | 13,5 | 39 | 67 | 7 | M4 | 82 | 50,5 | 10 | 25 | Ø 4,5 |
| 511-1 | 44 | 20 | 11,5 | | 34 | M12 x 1,5 | 21,5 - 31,5 | | | 19,5 | 72,5 | 85 | 8 | M5 | 69 | 60 | 15 | 38 | 5,5x10,5 |
| 511-2 | 53 | 24,5 | 15,5 | | 42 | M16 x 1,5 | 30 - 40 | | | 24,5 | 96 | 111 | 10 | M6 | 86 | 80 | 19 | 46 | 6x11 |
| 511-3 | 60 | 30 | 17,5 | | 56 | M20 x 1,5 | 33,5 - 42,5 | | | 30,5 | 137 | 140 | 12 | M 8 | 116 | 80 | 24 | 58 | 6,5x11 |
| 511-5 | 78 | 36 | 21 | | 75 | M24 x 1,5 | 42 - 57 | | | 38 | 152 | 179 | 14 | M10 | 155 | 135 | 32 | 74 | 8,5x16 |
| 511-6 | 78 | 36 | 21 | | 75 | M24 x 1,5 | 42 - 57 | | | 38 | 152 | 179 | 16 | M10 | 155 | 135 | 32 | 74 | 8,5x16 |

Dimensions and technical data are subject to change without notice.

-www.kukamet.com.tr-

39