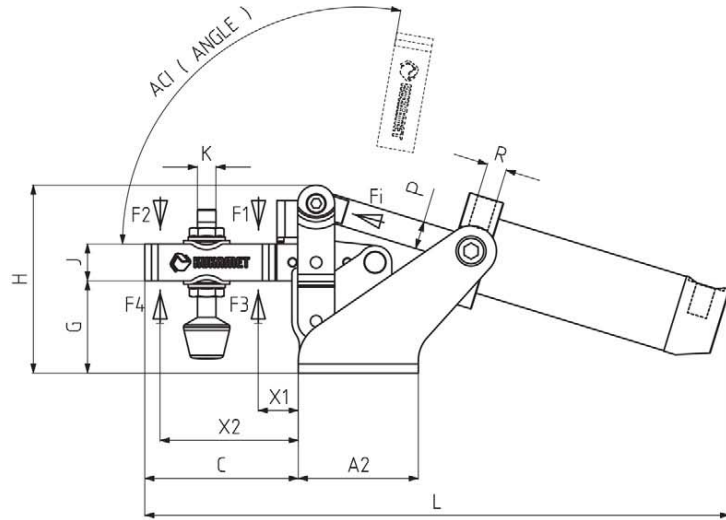




| MODEL NO  | F1 (N) | F2 (N) | F3 (N) | F4 (N) | Fİ (N) | Vn (dm <sup>3</sup> ) | AÇI (ANGLE) (± 5°) | AĞIRLIK (WEIGHT) (gr) | BAR |
|-----------|--------|--------|--------|--------|--------|-----------------------|--------------------|-----------------------|-----|
| 611-1-Ø16 | 600    | 400    | 1000   | 680    | 120    | 0.09                  | 95°                | 275                   | 6   |
| 611-1-Ø20 | 750    | 500    | 1000   | 680    | 190    | 0.14                  | 95°                | 360                   | 6   |
| 611-2     | 1200   | 700    | 1400   | 925    | 300    | 0.25                  | 95°                | 535                   | 6   |
| 611-3     | 2000   | 1400   | 2500   | 1560   | 500    | 0.51                  | 95°                | 860                   | 6   |
| 611-4     | 3000   | 2000   | 3300   | 2200   | 750    | 1.04                  | 95°                | 1690                  | 6   |
| 611-5     | 4500   | 2500   | 5000   | 3000   | 1100   | 2                     | 95°                | 3090                  | 6   |

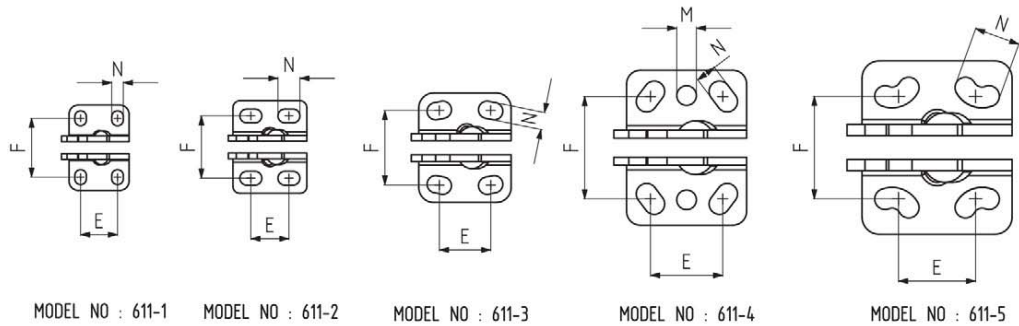
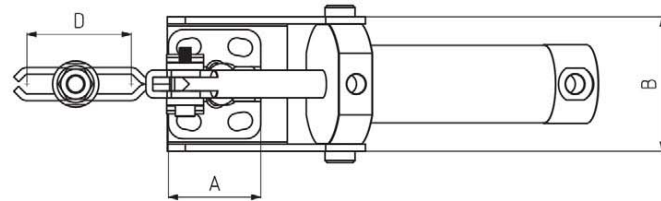
F1-F2 : BASKI KUVVETİ (EXERTING FORCE), F3-F4 : TUTMA KAPASİTESİ (HOLDING CAPACITY), Fİ : UYGULAMA KUVVETİ (APPLIED FORCE)

Vn , 6 BAR BASINÇTA ÇİFT HAREKET İÇİN HAVA TÜKETİM MİKTARIDIR ( Vn ,AIR CONSUMPTION PER DOUBLE STROKE IN dm<sup>3</sup> AT 6 BAR )



**Ayak Tipi: Yatay Tabanlı, Ön Bağlantılı**  
Body Mounting Base: Horizontal, Tied Front

Pistonlar çift etkili, manyetik ve yastıklıdır  
Pneumatic cylinders are double acting, magnetic and cushioning



| MODEL NO  | A  | A2  | B  | C    | D  | E       | F         | G  | H    | J  | K   | L     | M     | N        | X1 | X2  | P    | R    | PİSTON Ø |
|-----------|----|-----|----|------|----|---------|-----------|----|------|----|-----|-------|-------|----------|----|-----|------|------|----------|
| 611-1-Ø16 | 26 | 34  | 44 | 42   | 26 | 16      | 24-27     | 25 | 52   | 10 | M5  | 185   |       | 5 x 6.5  | 16 | 32  | Ø 6  | G1/4 | 16       |
| 611-1-Ø20 | 26 | 34  | 44 | 44   | 26 | 16      | 24-27     | 25 | 52   | 10 | M5  | 192   |       | 5 x 6.5  | 16 | 32  | Ø 8  | G1/8 | 20       |
| 611-2     | 32 | 42  | 51 | 60   | 42 | 13-20   | 27        | 29 | 61   | 13 | M6  | 225   |       | 6x9,5    | 18 | 48  | Ø 10 | G1/8 | 25       |
| 611-3     | 40 | 52  | 58 | 66,5 | 42 | 19-25   | 31,5-32,5 | 40 | 81,5 | 16 | M 8 | 253,5 |       | 7,5x10,5 | 25 | 52  | Ø 12 | G1/8 | 32       |
| 611-4     | 52 | 95  | 77 | 98,5 | 67 | 28-34,5 | 40-48,5   | 50 | 104  | 20 | M10 | 323   | Ø 8.5 | 9x14,5   | 32 | 80  | Ø 16 | G1/8 | 40       |
| 611-5     | 65 | 134 | 92 | 124  | 88 | 24,5-45 | 44,5-52   | 62 | 128  | 25 | M12 | 399   |       | 9x19,5   | 36 | 101 | Ø 20 | G1/8 | 50       |