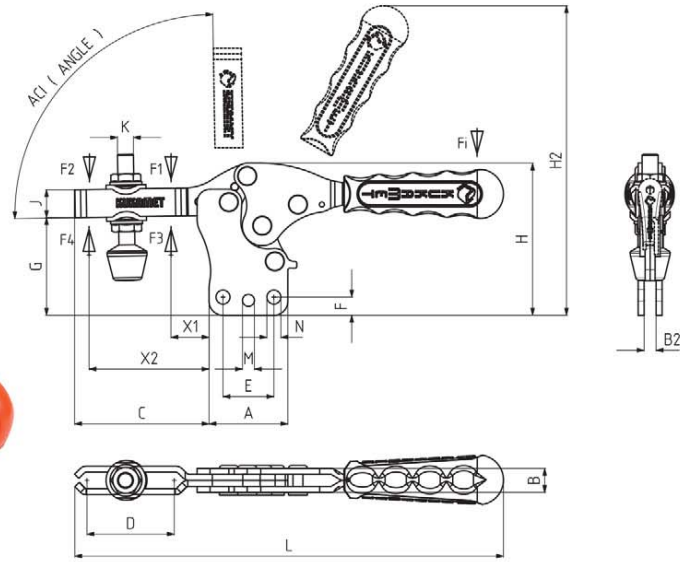


MODEL NO	PASLANMAZ (STAINLESS)	SİYAH (BLACK)	F1 (N)	F2 (N)	F3 (N)	F4 (N)	F _i		BASKI VIDASI (SQUEEZE SCREW)	AÇI (ANGLE) (±5°)	AĞIRLIK (WEIGHT) (gr)
							(X1) VERİM (YIELD) (F1 : F _i)	(X2) VERİM (YIELD) (F2 : F _i)			
112-0	S 112 -	B 112 -	450	300	520	350	5:1	2:1	M4X25	90°	42
112-1	S 112 -	B 112 -	850	650	1000	800	7:1	3:1	M5X35	90°	125
112-2	S 112 -	B 112 -	1000	750	1200	1000	7:1	3:1	M6X40	90°	225
112-3	S 112 -	B 112 -	2300	1250	2500	1350	8:1	4:1	M8X50	90°	340
112-4	S 112 -	B 112 -	3500	1800	3650	2000	9:1	4:1	M10X70	90°	810
112-5	S 112 -	B 112 -	4500	2000	5000	2125	10:1	5:1	M12X80	90°	1520

F1 - F2 : BASKI KUVVETİ (EXERTING FORCE) , F3 - F4 : TUTMA KAPASİTESİ (HOLDING CAPACITY) , F_i : UYGULAMA KUVVETİ (APPLIED FORCE)



MODEL NO : 112-0 (KAPLAMASIZ METAL SAP)

MODEL NO : 112-2

Ayak Tipi: Dikey Tabanlı
Body Mounting Base: Vertical



MODEL NO	A	B	B2	C	D	E	F	G	H	H2	J	K	L	M	N	X1	X2
112-0	25	7	4	25.5	13	16	4.5	22.5	32	68	7.5	M4	82.5		Ø 4.5	11	18
112-1	33.5	9	5	43	28	23	5.5	31	50	105	10	M5	148		Ø 5	15	33
112-2	37	10	5	66	47	23.7 - 26	10 - 6.5	41	64	123	14	M6	184	Ø 6	6 x 10	19	54
112-3	39.5	12	6	68	42	25.5	9	49	76	151	14	M 8	215	Ø 6	Ø 7	25	53
112-4	58	16	8	100	73	41.5	8.5	65	102	195	19	M10	296	Ø 8.5	Ø 9	27	83
112-5	75	20	10	129	92	47.5	12	75	124	238	25.5	M12	345	Ø 10	Ø 10	37	107

Dimensions and technical data are subject to change without notice.

-www.kukamet.com.tr-

5