



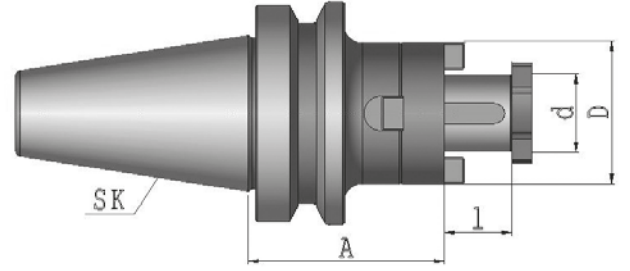
Kombine Malafa DIN 6358

JIS B 6339 (MAS 403 BT)AD

Kombi - Aufsteckfräserdorne DIN 6358
Combi shell mill holder DIN 6358

FORM AD

Sipariş No Bestell Nr. Order Nr.	BT	d	A	L1	D
010.30.16	BT 30	16	45	17	32
010.30.22	BT 30	22	47	19	40
010.30.27	BT 30	27	49	21	48
011.30.16	BT 40	16	55	17	32
011.30.16-100	BT 40	16	100	17	32
011.30.22	BT 40	22	55	19	40
011.30.22-100	BT 40	22	100	19	40
011.30.27	BT 40	27	55	21	48
011.30.27-100	BT 40	27	100	21	48
011.30.32	BT 40	32	60	24	58
011.30.32-100	BT 40	32	100	24	58
011.30.40	BT 40	40	60	27	70
011.30.40-100	BT 40	40	100	27	70
012.30.16	BT 50	16	70	17	32
012.30.16-100	BT 50	16	100	17	32
012.30.22	BT 50	22	70	19	40
012.30.22-100	BT 50	22	100	19	40
012.30.27	BT 50	27	70	21	48
012.30.27-100	BT 50	27	100	21	48
012.30.32	BT 50	32	70	24	58
012.30.32-100	BT 50	32	100	24	58
012.30.40	BT 50	40	70	27	70
012.30.40-100	BT 50	40	100	27	70



Teslim Şekli : Alın civatası, kaması ve tırnaklı pulu ile birlikte
Lieferumfang : Inklusive Paßfeder, Mitnehmerring und Fräseranzugsschraube
Included : Milling cutter retention, screw, drive key with treaded hole
for push-out screw, combination drive ring

Kombine Malafa DIN 6358

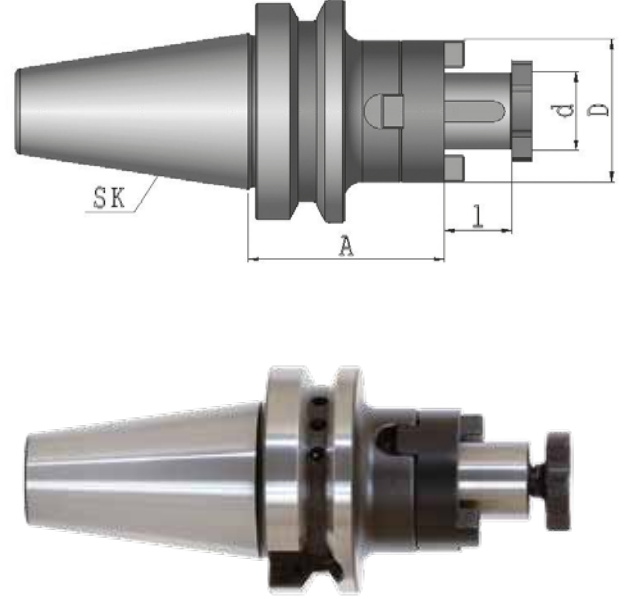
JIS B 6339 (MAS 403 BT)AD/B



Kombi - Aufsteckfräserdorne DIN 6358
Combi shell mill holder DIN 6358

FORM AD/B

Sipariş No Bestell Nr. Order Nr.	BT	d	A	L1	D
111.30.16	BT 40	16	55	17	32
111.30.16-100	BT 40	16	100	17	32
111.30.22	BT 40	22	55	19	40
111.30.22-100	BT 40	22	100	19	40
111.30.27	BT 40	27	55	21	48
111.30.27-100	BT 40	27	100	21	48
111.30.32	BT 40	32	60	24	58
111.30.32-100	BT 40	32	100	24	58
111.30.40	BT 40	40	60	27	70
111.30.40-100	BT 40	40	100	27	70
112.30.16	BT 50	16	70	17	32
112.30.16-100	BT 50	16	100	17	32
112.30.22	BT 50	22	70	19	40
112.30.22-100	BT 50	22	100	19	40
112.30.27	BT 50	27	70	21	48
112.30.27-100	BT 50	27	100	21	48
112.30.32	BT 50	32	70	24	58
112.30.32-100	BT 50	32	100	24	58
112.30.40	BT 50	40	70	27	70
112.30.40-100	BT 50	40	100	27	70



Teslim Şekli : Alın civatası, kaması ve tırnaklı pulu ile birlikte
Lieferumfang : Inklusive Paßfeder, Mitnehmerring und Fräseranzugsschraube
Included : Milling cutter retention, screw, drive key with threaded hole
for push-out screw, combination drive ring